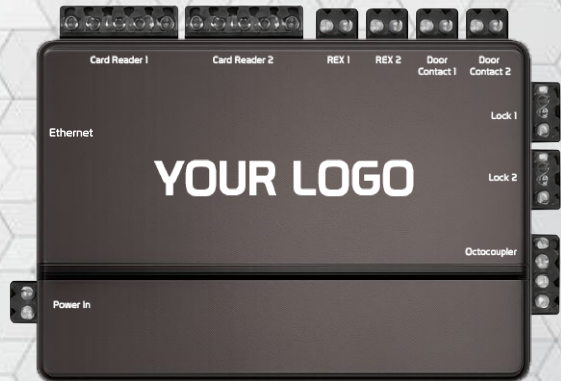


# LobiBox

Product Datasheet

## 2-Door Access Control Board



LB-A2D



## Scalable Access Control to Manage Every Door & Gate

*Compatible with LobiBox Video Intercoms and ANPR*

This 2-door access control board provides secure, reliable management for any-sized installation. It supports two card readers and two door lock outputs, each with dedicated REX and door contact inputs for precise monitoring and control. The board includes Ethernet connectivity with optional PoE for flexible network integration, as well as a 12VDC power input. Two optocoupler outputs allow for additional system integrations such as alarms or indicators. Designed for scalability and efficiency, this controller ensures seamless communication between access points and central management software, delivering dependable access control for offices, residential buildings, and commercial facilities.

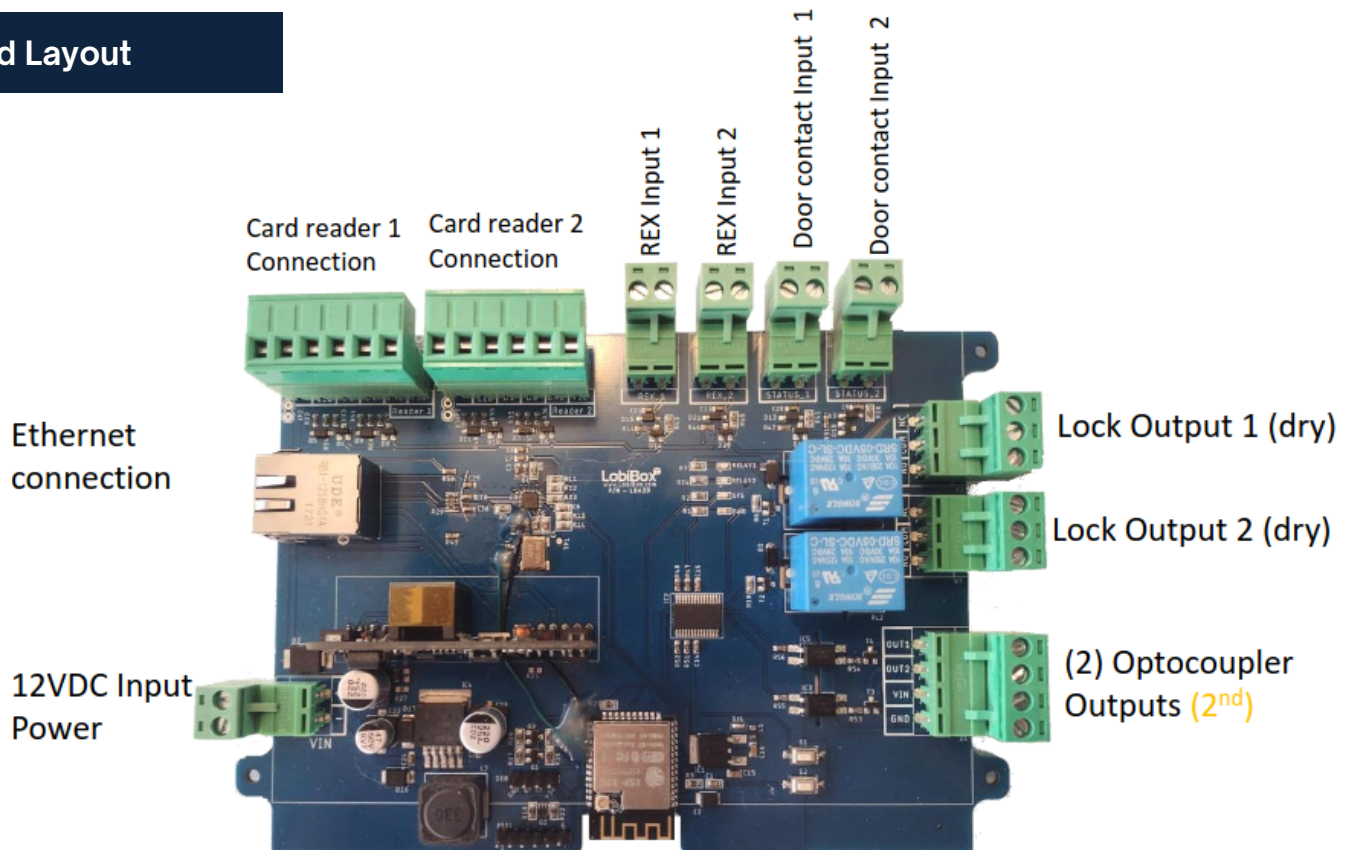
### Features

- 2-Door Access Control Board
- 2 Card Reader Connections
- 2 Request to Exits
- 2 Door Contact Monitoring Inputs
- 2 Form C Dry Output Relays (Rated 10A)
- 2 Octocoupler Outputs
- 12VDC Input Power or POE

## Technical Specifications

POWER	12VDC In or POE
INPUTS	2 Dry Inputs Request to Exit, 2 Dry Inputs Door Contact
OUTPUTS	2 Outputs Form C Rated 10A
CARD READER INPUTS	Multiple Card Types
MAXIMUM CREDENTIALS	10,000
CONNECTIVITY	Ethernet RJ45

## Board Layout



For more information, visit:  
[LobiBox.com](http://LobiBox.com)

# LobiBox

Copyright © 2026 LobiBox. All rights reserved.

LobiBox and its logo are trademarks or registered trademarks of LobiBox in the United States and other countries. All other trademarks are the property of their respective owners. The information contained in this document is provided for informational purposes only and is subject to change without notice. No warranties, express or implied, are made regarding the accuracy or completeness of this information.