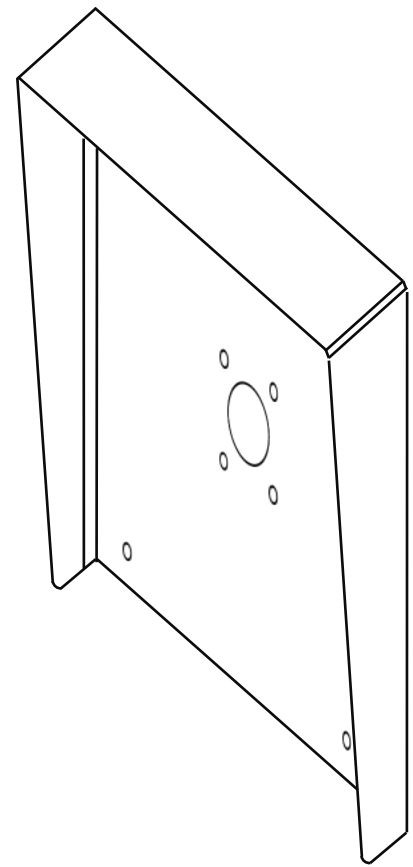
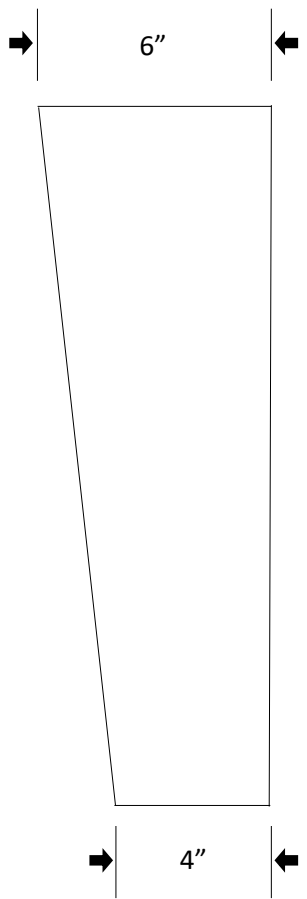


Mounting holes for wall
3/8" dia.
16"H x 8"W" centered

Cable pass through
hole 2" dia.

Mounting holes for
gooseneck pedestal
3/8" dia.
3" x 3" centered



Front View

Side view

Top 45° view

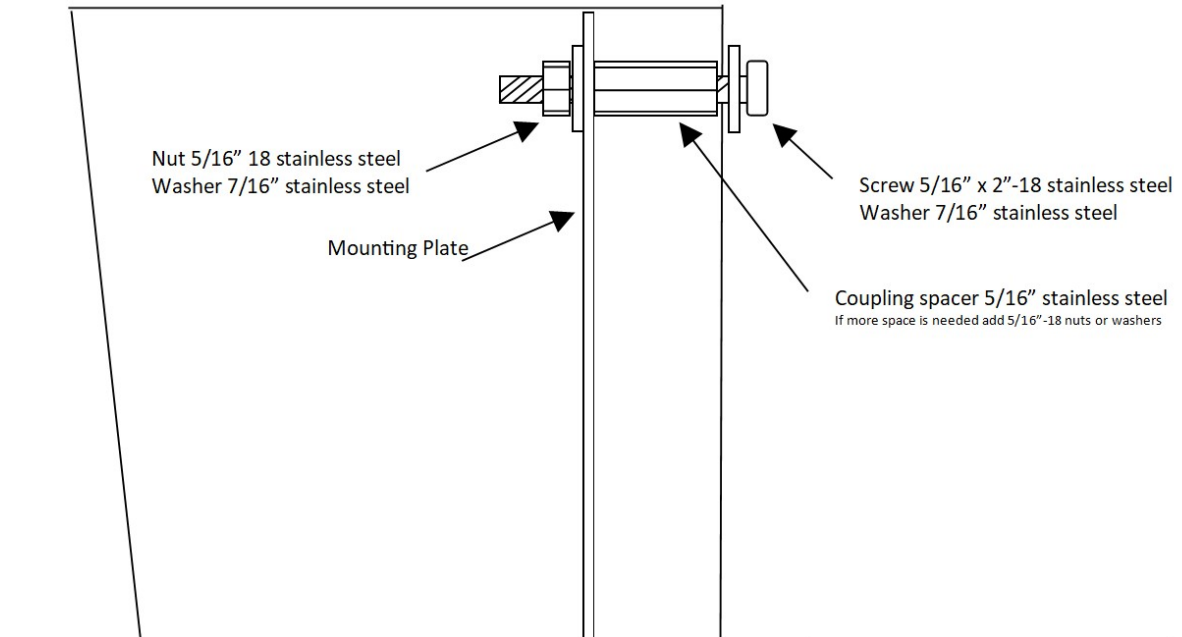
OUTDOOR WEATHER HOOD
18x12

LobiBox
LobiBox.com
480-286-4985

PROPRIETARY AND CONFIDENTIAL
THE INFORMATION CONTAINED IN THIS
DRAWING IS THE SOLE PROPERTY OF
LOBIBOX / OPENTV. ANY REPRODUCTION
IN PART OR AS A WHOLE WITHOUT THE
WRITTEN PERMISSION OF LOBIBOX / OPENTV IS

Drawn by Jeff Terrozas 09/09/2022 Rev n/a

Size A	DIMENSIONS ARE IN INCHES TOLERANCES: FRACTIONAL 1/32 ANGULAR: 2	No scale Sheet 1 of 2
	PART NO: LB-HOOD18X12	



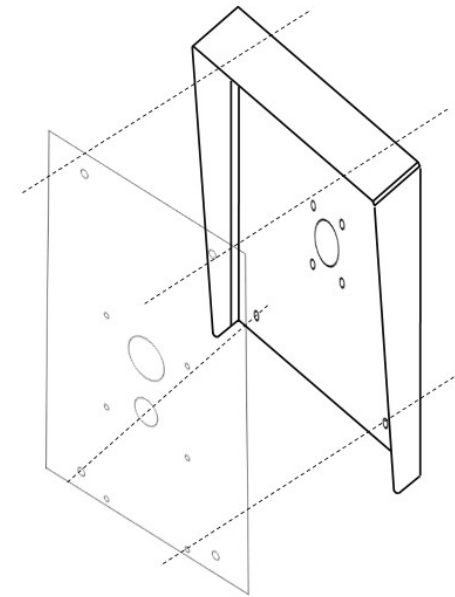
Nut 5/16" 18 stainless steel
Washer 7/16" stainless steel

Mounting Plate

Screw 5/16" x 2"-18 stainless steel
Washer 7/16" stainless steel

Coupling spacer 5/16" stainless steel
If more space is needed add 5/16"-18 nuts or washers

Fastener view



Back plate mounting

OUTDOOR WEATHER HOOD
18x12

LobiBox
LobiBox.com
480-286-4985

PROPRIETARY AND CONFIDENTIAL
THE INFORMATION CONTAINED IN THIS
DRAWING IS THE SOLE PROPERTY OF
LOBIBOX / OPENTV. ANY REPRODUCTION
IN PART OR AS A WHOLE WITHOUT THE
WRITTEN PERMISSION OF LOBIBOX /OPENTV IS

Drawn by Jeff Terrozas 09/09/2022 Rev n/a

Size
A

DIMENSIONS ARE IN INCHES
TOLERANCES:
FRACTIONAL 1/32
ANGULAR: 2

No scale Sheet 1 of 2

PART NO: LB-HOOD18X12